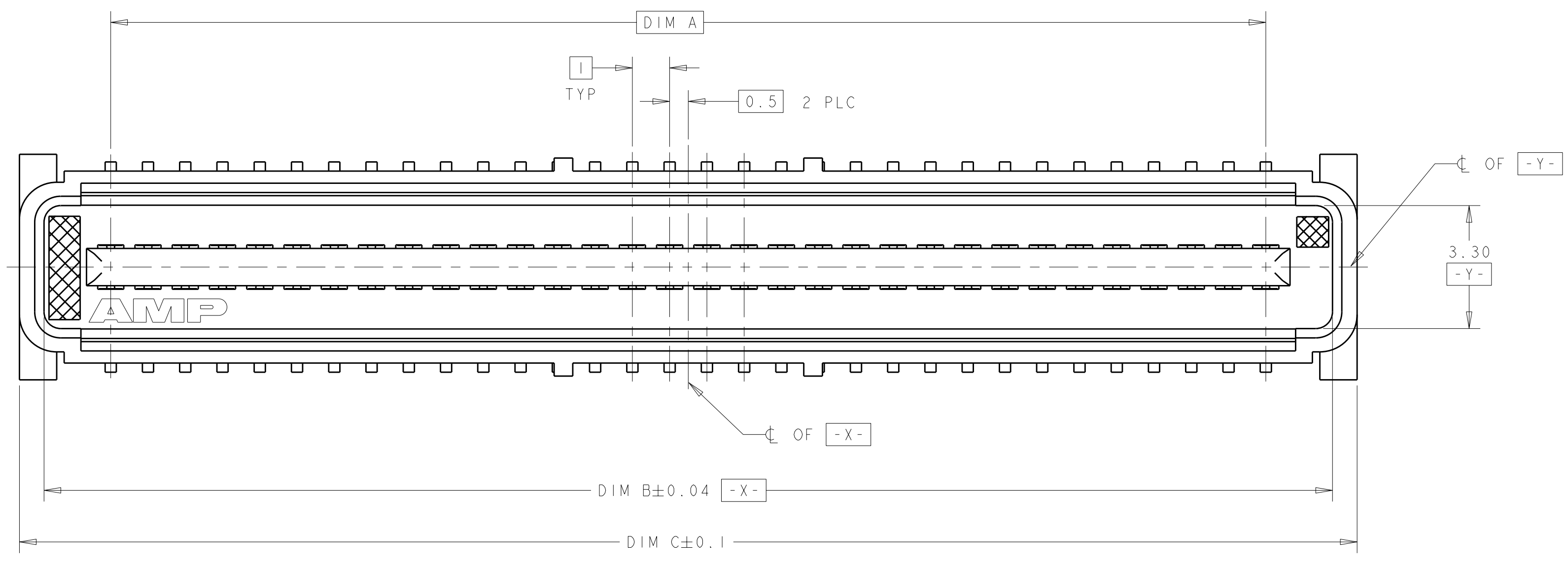
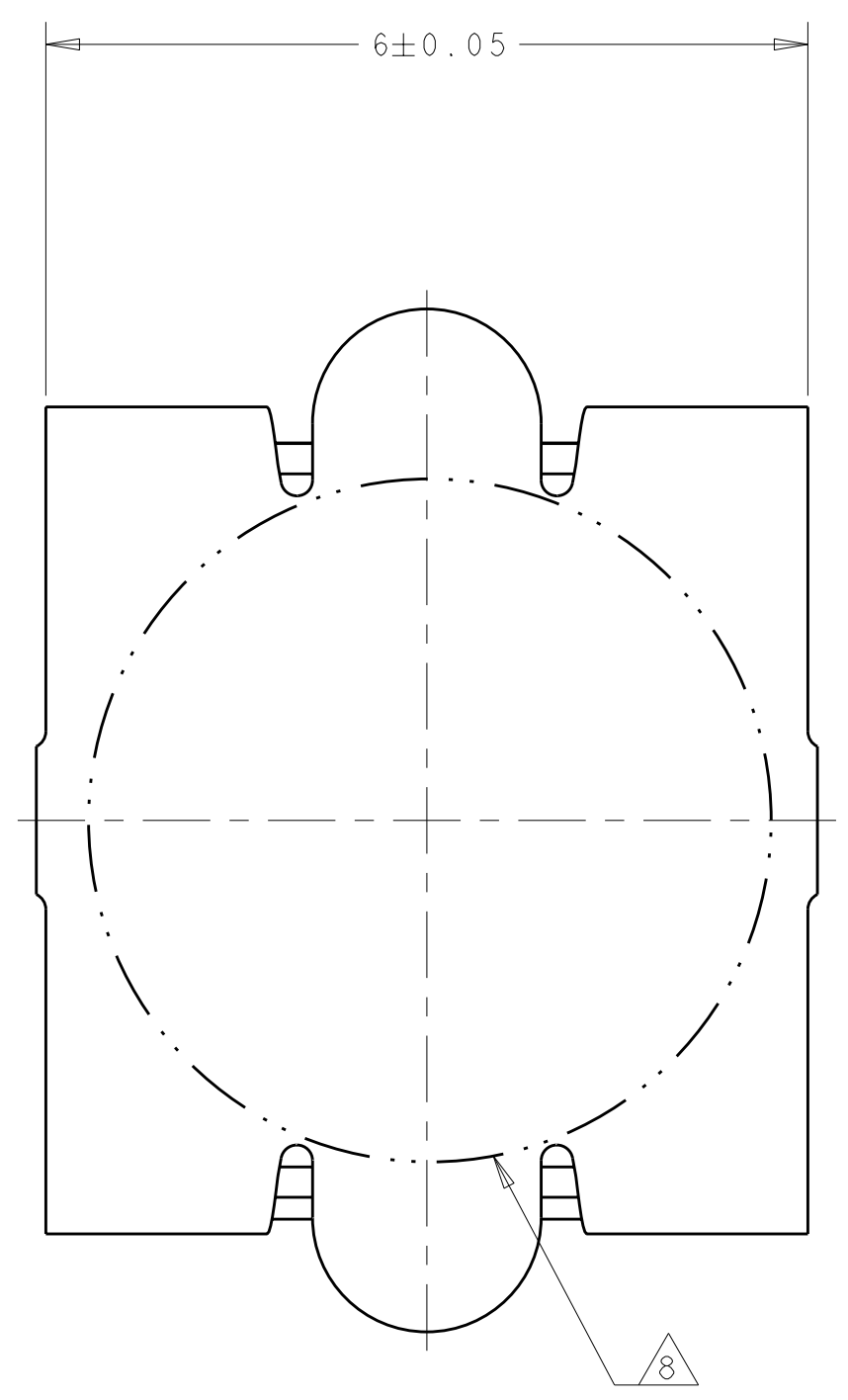
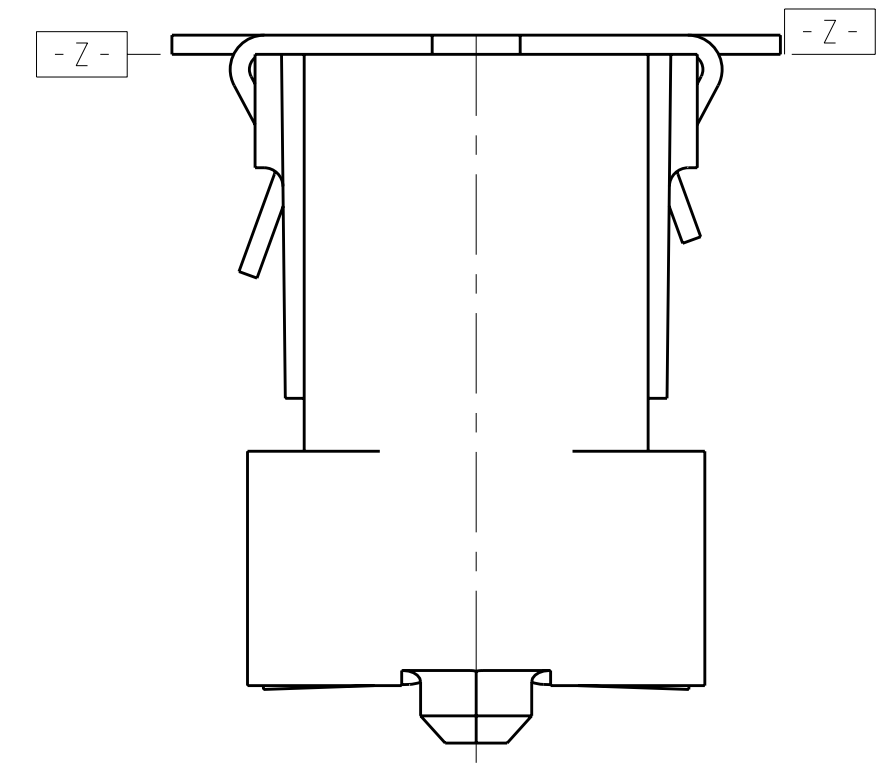
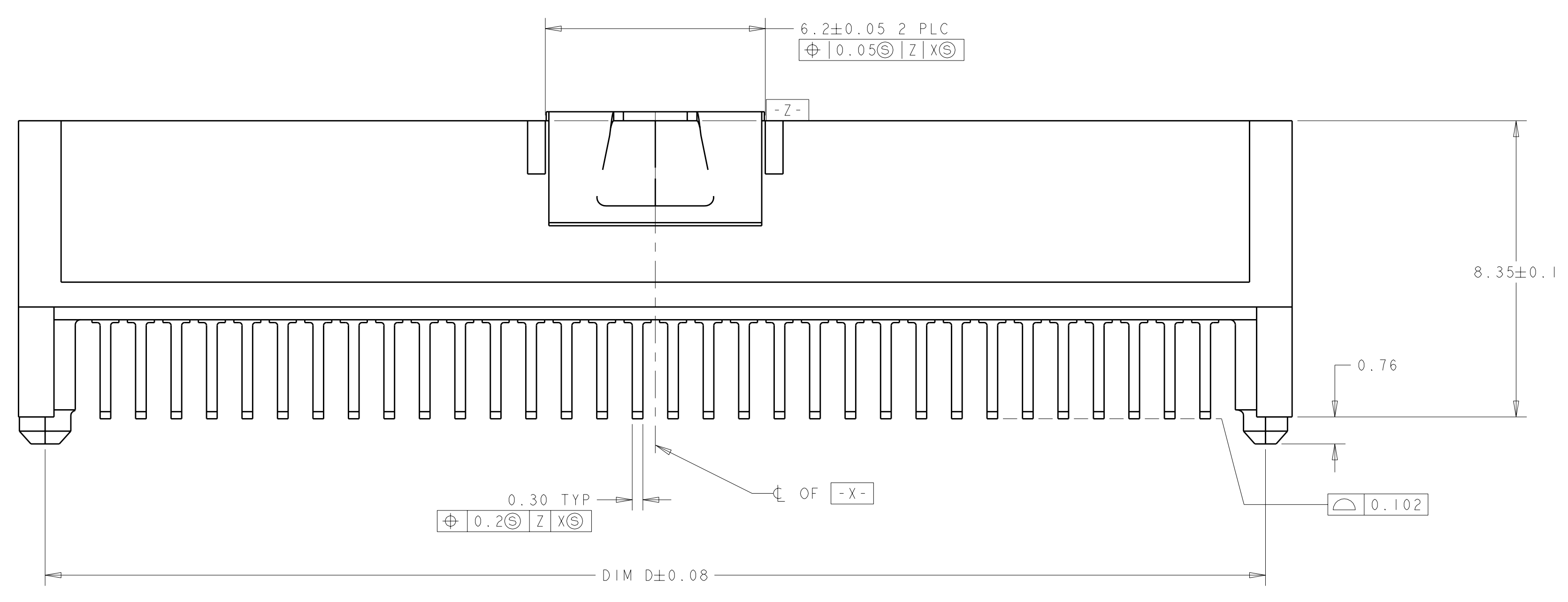


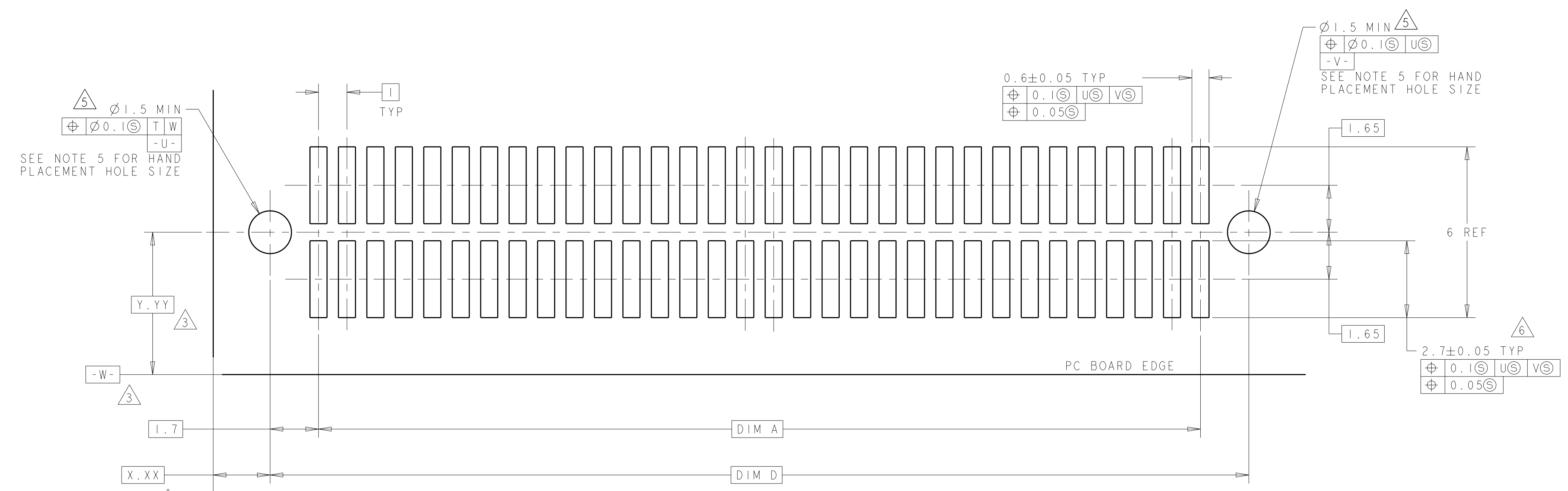
LOC	DIST	REV	DATE	BY	CHK	APP'D
AD	00	0	30SEP2004	BC	RW	
		A	19JAN2007	BC	DB	
		B	10JUL2008	DH	DB	



- 1 HOUSING MATERIAL: LIQUID CRYSTAL POLYMER COLOR: BLACK. CONTACT MATERIAL: PHOSPHOR BRONZE.
- 2 CONTACT FINISH: NICKEL UNDERPLATE ALL OVER, MATING SURFACES PLATED TO MEET PLI PERFORMANCE REQUIREMENTS OF INDUSTRY SPECIFICATION EIA-700AAAB, SOLDER TAILS PLATED TIN.
- 3 DATUM LOCATIONS AND BASIC DIMENSIONS TO BE ESTABLISHED BY THE CUSTOMER. CONSULT AMP ENGINEERING WHEN PLACING MULTIPLE CONNECTORS ON A PC BOARD.
- 4 PACKAGED IN TAPE ON REELS PER EIA-841.
- 5 1.4±0.05 DIAMETER HOLE WHEN PLACING BY HAND.
- 6 SHORTER SOLDER LANDS MAY BE USED PER EIA 700AAAB, HOWEVER 2.7 LENGTH ASSURES OPTIMUM SOLDER FILLET.
- 7 VACUUM COVER NOT SHOWN IN SOME VIEWS FOR CLARITY.
- 8 5.5 MIN DIAMETER TARGET AREA FOR VACUUM PIPCK-UP.
- 9 CONTACT FINISH: 0.00381 MINIMUM MATTE TIN PER ASTM B 545 ON SOLDER AREA, 0.00127 MINIMUM GOLD PER ASTM B 488 ON MATING AREA, BOTH OVER 0.00127 MINIMUM NICKEL PER SAE-AMS-QQ-N-290 ON ENTIRE CONTACT.
- 10 SEE CATALOG FOR OTHER MATING CONNECTOR OPTIONS.



VACUUM COVER



RECOMMENDED PC BOARD LAYOUT

FINISH	DIM D	DIM C	DIM B	DIM A	MATING CONNECTOR	STACK HEIGHTS	POS	PART NUMBER
9	44.4	45.9	44.58	41	1-5146896-2	15	84	1-5146888-2
9	44.4	45.9	44.58	41	1-5146895-2	13	84	1-5146888-2
9	44.4	45.9	44.58	41	1-5146894-2	12	84	1-5146888-2
9	44.4	45.9	44.58	41	1-5146893-2	10	84	1-5146888-2
9	34.4	35.9	34.58	31	1-5146896-1	15	64	1-5146888-1
9	34.4	35.9	34.58	31	1-5146895-1	13	64	1-5146888-1
9	34.4	35.9	34.58	31	1-5146894-1	12	64	1-5146888-1
9	34.4	35.9	34.58	31	1-5146893-1	10	64	1-5146888-1
2	44.4	45.9	44.58	41	5146896-2	15	84	5146888-2
2	44.4	45.9	44.58	41	5146895-2	13	84	5146888-2
2	44.4	45.9	44.58	41	5146894-2	12	84	5146888-2
2	44.4	45.9	44.58	41	5146893-2	10	84	5146888-2
2	34.4	35.9	34.58	31	5146896-1	15	64	5146888-1
2	34.4	35.9	34.58	31	5146895-1	13	64	5146888-1
2	34.4	35.9	34.58	31	5146894-1	12	64	5146888-1
2	34.4	35.9	34.58	31	5146893-1	10	64	5146888-1